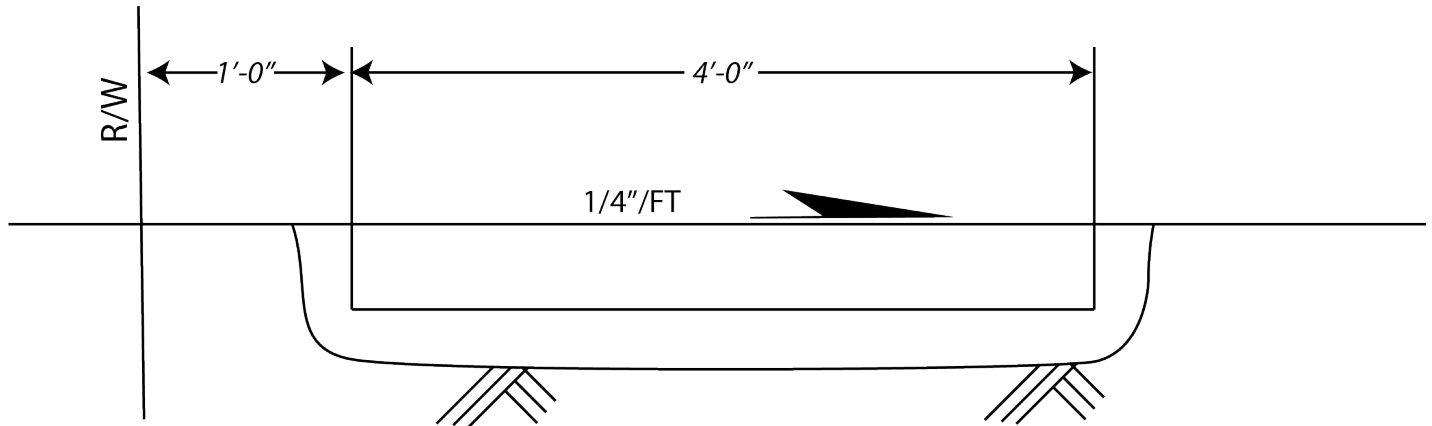




Typical Sidewalk Placement



GENERAL NOTES

1. Sidewalk cross-slope to be 1/4" per foot. Any deviation will have to be approved by the City Engineer, and in no situation shall the cross-slope exceed 1/2" per foot.
2. Expansion joints to be placed every 25 feet and trowel joints every 5 feet.
3. Sidewalk thickness shall be 6" in way of driveways and 4" in way of grass areas.
4. A 2" 304 limestone base, compacted in place shall be placed on a firm sub-base. In no situation shall a frozen base be acceptable.
5. Screened humus topsoil free of all lumps, stones, roots and debris to be placed adjacent to new sidewalks, a minimum of 4" deep, and seeded and mulched.
6. Sidewalks installed in existing tree lawns shall be installed in a way so as not to disturb the existing surface water flow.
7. Concrete shall be ODOT Class "C," broom finished, with a white curing compound.
8. Contractors installing sidewalks for a City sidewalk program shall be required to submit, a minimum of 2 sets of concrete cylinders per every 20 cy of concrete poured in place for testing. These cylinders shall be broken at 7 days and 28 days and the results submitted to the City Engineer prior to the release of final payment. These cylinders shall be taken and tested by a certified testing laboratory, and shall be at the contractors expense.
9. Concrete for sidewalks shall not be placed when the temperature is below 32° F. If the temperature is expected to drop below freezing within 48 hours of a concrete pour, the contractor shall be required to use heat retaining blankets.

GENERAL NOTES

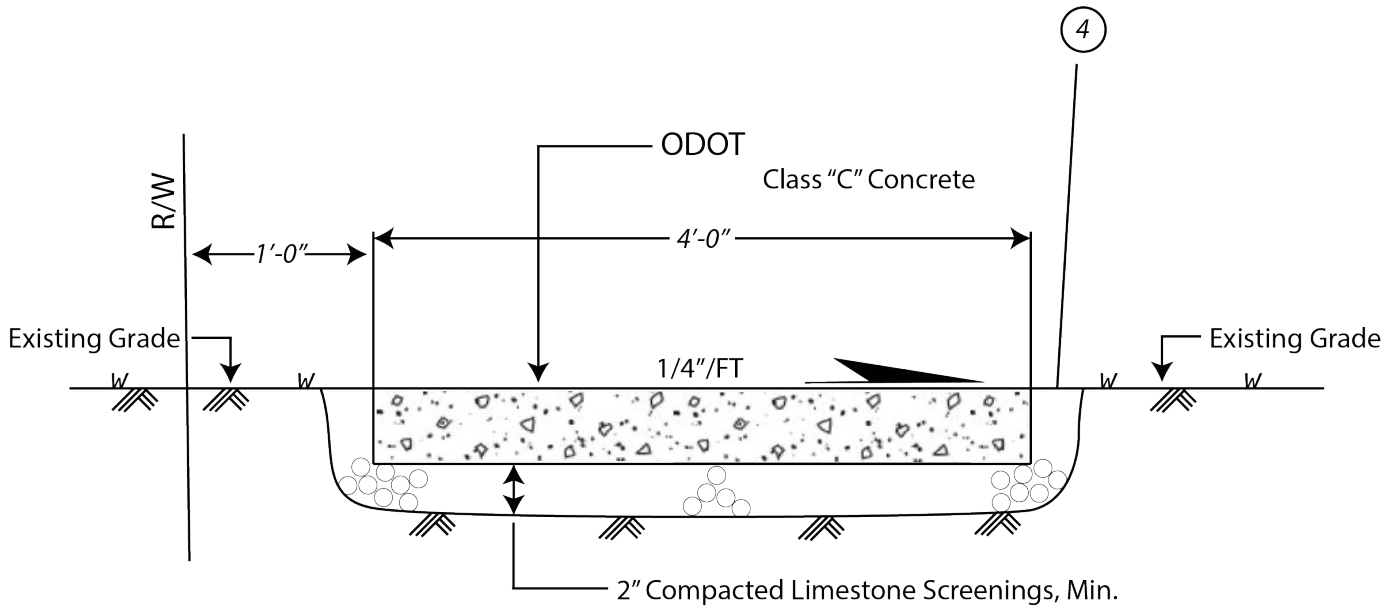
1. Typical sidewalk cross-slope to be 1/4" per foot. Any deviation will have to be approved by the City Engineer, and in no situation shall the cross-slope exceed 1/2" per foot.
2. Expansion joints to be placed every 25 feet and trowel joints every 5 feet.
3. All sidewalks are to be 6" thick in driveways and curbramps, 4" thick elsewhere.
4. Sidewalk base to be 2" compacted limestone shall be placed on a firm sub-base. In no situation shall a frozen base be acceptable.
5. White cure compound to be used.
6. Screened humus topsoil to be used free of all lumps, stones, and debris to be placed adjacent to new sidewalks, a minimum of 4" deep, and seeded and mulched.
7. The proposed sidewalk is to be installed to match the existing grade and NOT disturb the surface water flow.
8. Concrete for sidewalks shall not be placed when the temperature is below 32° F. If the temperature is expected to drop below freezing within 48 hours of a concrete pour the contractor shall be required to use heat retaining blankets.

The Public Works Department office must be notified 24 hours in advance of the sidewalk/apron concrete pour. An inspection will be conducted.

Right-of-way permits must be obtained through the Engineering office for the construction of sidewalks. A copy of homeowners insurance policy is required unless a registered contractor is hired to do the work.

Right-of-way distances for each lot can be obtained at the Department of Public Works, 150 Avon Belden Road, 8:00 a.m. - 4:30 p.m. Monday - Friday.

TYPICAL SIDEWALK PLACEMENT



TYPICAL SIDEWALK PLACEMENT ON EXISTING RESIDENTIAL PROPERTIES

